

TGL

LED Backlit Troffer

Product Description

The TGL is a contractor grade Troffer that will exceed quality and performance for most commercial spaces. The TGL LED Troffer features a pre-mounted driver and a maintenance-free, fully sealed chamber with seamless aluminum frame to keep bugs and dust out. The fixture utilizes a precision-engineered, textured diffuser to deliver maximum lumen output and optimal uniformity without revealing hot spots or shadowing. Available in 3000K, 4000K, and 5000K correlated color temperatures (CCT). Now with DLC 5.1 Standard certification, ensuring top of the line quality and performance. The TGL is the perfect lighting solution for offices, hospitals, and other commercial spaces.

Construction

- Extruded aluminum frame with powder coat finish
- Durable stamped housing
- High efficiency, maintenance-free LED chamber
- Smooth formed sides for safe handling

Optical System

- Internal batwing distribution lenses
- High reflectivity internal coating
- Precision engineered polystyrene diffuser
- No visible diodes, hot-spots, or shadows providing high uniformity, and reduced glare
- 80 CRI for good color definition in public spaces

Electrical

- Input voltage of 120-277VAC
- Full-range dimming via 1-10VDC controls
- Power factor > 0.9
- THD < 20%
- Luminaire surge protection level designed to withstand up to 2.5kV ring wave per ANSI C82.77-5-2017 requirements for Indoor Hard-wired and Indoor Portable Luminaires
- Operating temperature range: 4°F to 104°F (-20°C to 40°C)

Controls

- NLC (Network Lighting Controls) option available
- Bluetooth Low Energy (BLE) mesh network providing Luminaire Level Lighting Control
- Luminaire integrated BLE PIR/Daylight sensor (N1) available
- Configurable with the NICOR NLC app available on iOS and Android devices
- Provides full dimming control with occupancy and daylight harvesting functions

Mounting and installation

- Single cover plate with access to both line and low voltage connections
- Emergency battery backup available
- Integral grid tie clips with wire holes provided for seismic requirements
- Surface mount installation with an optional adaptor
- Drywall installation with an optional adaptor
- For installations where power surge may be possible, NICOR recommends installing additional surge protection at the fixture or electrical distribution panel

Listings

- cETLus 1598 Listed for damp locations
- Certified for direct contact with insulation (IC)
- DLC 5.1 Standard listed
- RoHS Compliant
- Meets FCC Part 15, Subpart B, Class A standards for conducted and radiated emissions
- TM-21 Reported L70(9k) life >54,000 hours
- LM-79, LM-80 testing performed in accordance with IESNA standards

Warranty

- 5-year limited system warranty standard
- Warranty does not cover product failure due to an overvoltage event (power surge.)

Project

Catalog

Type

Date



TGL
2x2, 2x4
LED Backlit Troffer



Ordering

Ordering Information

Example: TGL122U40

Series	Size	Voltage	CCT's	Controls	EM (Optional)
TGL1	22 (2 x 2)	U (120-277V)	35 (3500 K)	Blank (none)	E1 (EMB045)
	24 (2 x 4)		40 (4000 K)	N1 (NLC Controls)	E2 (EMB080)
			50 (5000 K)		

Specifications and dimensions subject to change without notice.

Accessories

Surface Mount Kit - 2x2	TPE10SK22
Surface Mount Kit for use with E1/E2 - 2x2	SK22M10WH
Flange Kit - 2x2	TPE10FK22
Surface Mount Kit - 2x4	TPE10SK24
Surface Mount Kit for use with E1/E2 - 2x4	SK24M10WH
Flange Kit - 2x4	TPE10FK24

Recommended Dimmers*

Lutron NTSTV
Lutron DVSTV
Cooper SF10P
Legrand RH4FBL3PW

*Not a complete list.

Check compatibility before installation.

NLC Controls

See www.nicorlighting/network-lighting-controls for more information and NLC Component Data Sheets



Performance Data

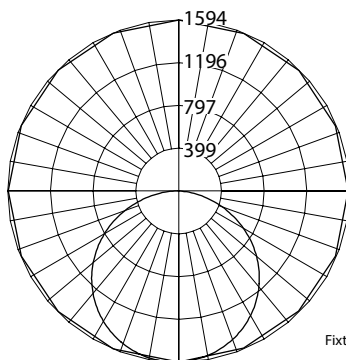
Emergency Pack Performance Data

Model	Nominal CCT	Lumens	Watts	Efficiency	E1 Lumens	E2 Lumens
TGL122U	3500	4728	40.0	118.2	532	946
	4000	4761		119.0	536	952
	5000	4794		119.9	540	959
TGL124U	3500	5593	49.1	113.9	513	911
	4000	5643		114.9	517	919
	5000	5688		115.8	521	926

Photometric Data

TGL22 3500K

Input Voltage (VAC)	120-277
System Level Power (W)	40.0
Delivered Lumens (Lm)	4728
System Efficacy (Lm/W)	118.2
Correlated Color Temp (K)	3521
Color Rendering Index (CRI)	83
Beam Angle	115°
Spacing Criteria	1.26



Cone of Light Tabulation

Mounted height (Feet)	Footcandles Beam Center	Diameter (Feet)
8	24.7	25.7
10	15.8	32.1
12	10.9	38.6
14	8.0	45.0

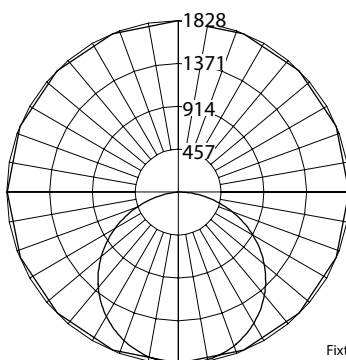
CCT Data Multiplier

TGL122U40	1.007
TGL122U50	1.014

Fixture tested per LM-79-08. Photometric data is of the performance of a representative fixture. Results may vary in the field.

TGL24 3500K

Input Voltage (VAC)	120-277
System Level Power (W)	49.1
Delivered Lumens (Lm)	5593
System Efficacy (Lm/W)	113.9
Correlated Color Temp (K)	3513
Color Rendering Index (CRI)	84
Beam Angle (0)	116°
Beam Angle (90)	121°
Spacing Criteria (0)	1.30
Spacing Criteria (90)	1.32



Cone of Light Tabulation

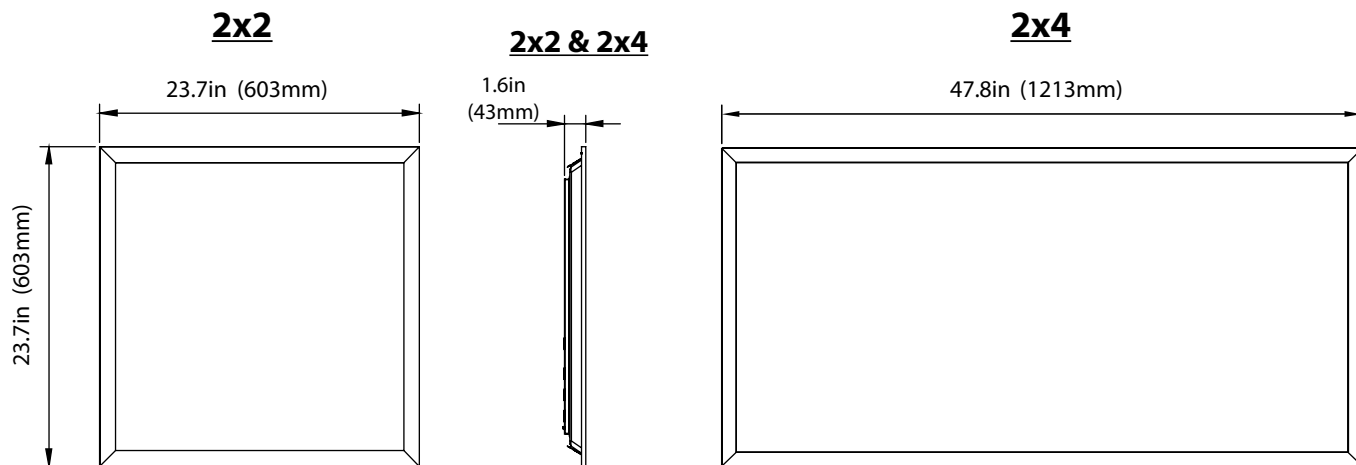
Mounted height (Feet)	Footcandles Beam Center	Diameter (Feet)
8	28.5	25.4
10	18.2	31.8
12	12.6	38.1
14	9.3	44.5

CCT Data Multiplier

TGL122U40	1.009
TGL122U50	1.017

Fixture tested per LM-79-08. Photometric data is of the performance of a representative fixture. Results may vary in the field.

Dimensions



Specifications and dimensions subject to change without notice.

This device complies with part 15 of the FCC Rules. Operation is subject to the following two conditions: (1) This device may not cause harmful interference, and (2) this device must accept any interference received, including interference that may cause undesired operation.

NOTE: This equipment has been tested and found to comply with the limits for a Class A digital device, pursuant to part 15 of the FCC Rules. These limits are designed to provide reasonable protection against harmful interference when the equipment is operated in a commercial environment. This equipment generates, uses, and can radiate radio frequency energy and, if not installed and used in accordance with the instruction manual, may cause harmful interference to radio communications. Operation of this equipment in a residential area is likely to cause harmful interference in which case the user will be required to correct the interference at his own expense.